

1

2

3

4

5

6

7

8

A

A

B

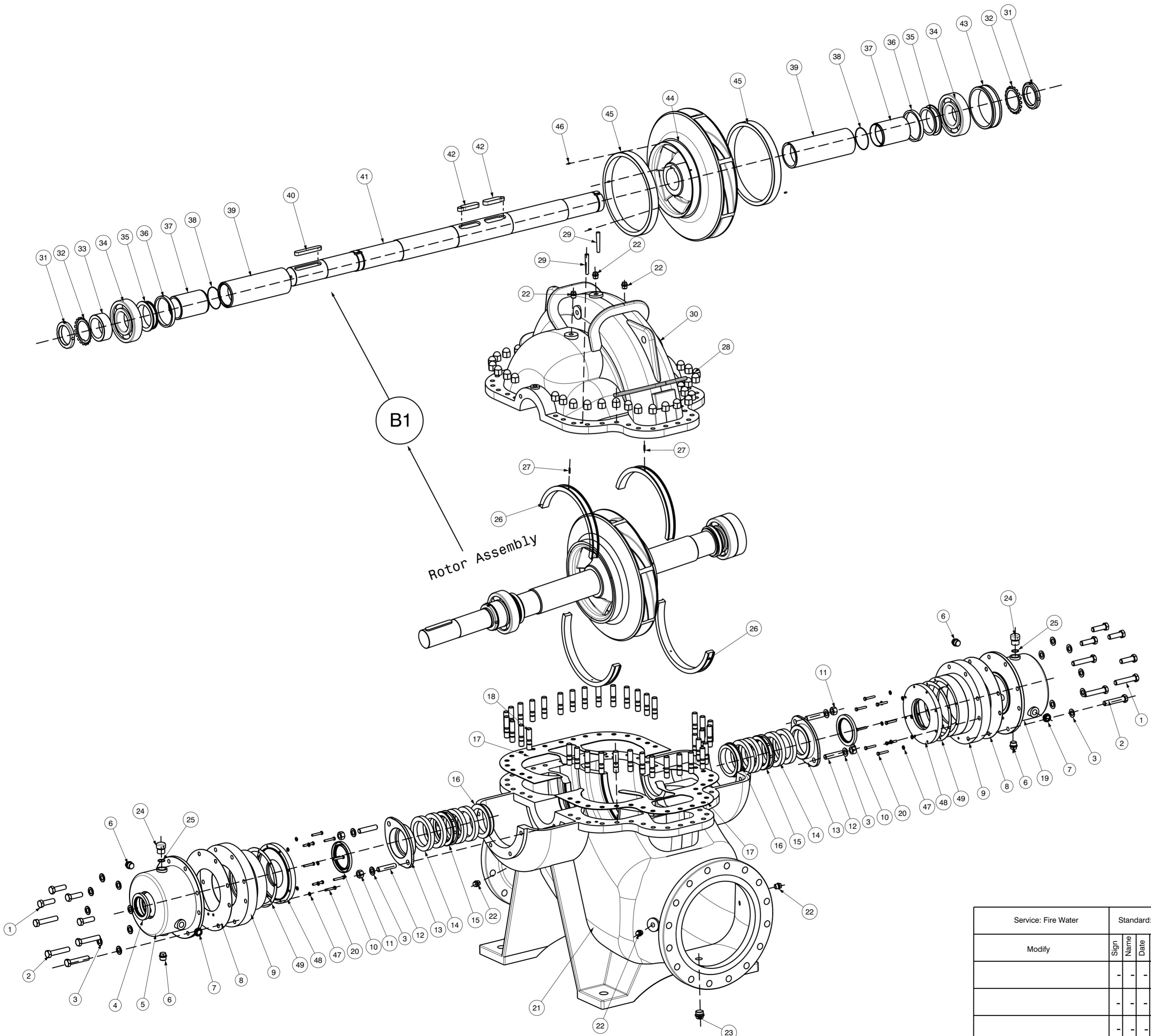
B

C

C

D

D

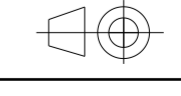


B1

Rotor Assembly

49	Gasket(Cover Back)	38.03	2
48	Bearing Housing Cover Back	9.03	2
47	Washer	DIN 125 M8	16
46	Screw	M5x10	6
45	Wear Ring(Impeller)	33.02	2
44	Impeller	B1.07	1
43	Adjusting Bush N.D.E	B1.06	1
42	Key	52.01	2
41	Shaft	B51.06	1
40	Key	22x14x140	1
39	Shaft sleeve (Main)	B.05	2
38	O-Ring	w=2.5 d=95	2
37	Shaft Sleeve (secondary)	B1.04	2
36	Oil Ring	B1.03	2
35	Oil Ring Seat	B2.02	2
34	Ball Bearing	6318	2
33	Adjusting Bush D.E	B1.01	1
32	Lock washer	MB_18	2
31	Lock Nut	KM_18	2
30	Casing Cover	01.01	1
29	Taper pin	DIN 2339 12x95 (1:50)	2
28	Cap Nut	DIN 1587 M22	38
27	Pin	DIN 8734 5x24	2
26	Wear Ring(Casing)	33.01	4
25	O-Ring	W=2.65 d=25	2
24	Air Vent Plug-Bearing	61.01	2
23	Plug	DIN910 G1*	2
22	Plug	DIN910 G1/2"	7
21	Casing	01.02	1
20	Screw	M8*25	16
19	Bearing Housing Cover N.D.E	09.04	1
18	Stud	DIN 939 M22*98	38
17	Gasket (Casing)	38.01	1
16	Neck Ring	31.03	2
15	Lantern Ring	32.01	2
14	packing	20x20	8
13	Gland	14.01	2
12	Stud	M20x95	4
11	Nut	DIN 4032 M20	4
10	Oil Seal	DIN 3760 140x105x12	2
9	Bearing Housing	09.02	2
8	Gasket (Bearing Housing)	38.02	2
7	Sight glass	G3/4"	2
6	Plug	DIN 910 G3/4"	4
5	Bearing Housing Cover D.E	09.01	1
4	Oil seal	DIN 3760 120x85x12	1
3	Washer	DIN 125 M20	20
2	Bolt	DIN 4017 M20x65	8
1	Bolt	DIN 4017 M20x105	8
Item No.	Part Name	Part Number	Quantity

Service: Fire Water		Standard:NFPA20		Self venting	Oil Lubricated	Type: Centrifugal between Bearing One Stage Axially Split
Modify		Sign	Name	Date	Rev.	DWG No: BB1P.A1.XP-00
		-	-	-	1	Design 1400/10/18 Me.Mirzabeygi
		-	-	-	1	Check1 1400/10/18 G.Eslami
		-	-	-	1	Check2 1400/10/18 R.Shokrollahi
		-	-	-	1	Approve 1400/10/18 A.Shoureshi
		-	-	-	2	Hydraulic Balance
		-	-	-	3	



Scale: 1:12 Sheet 1 of 1 Size: A2